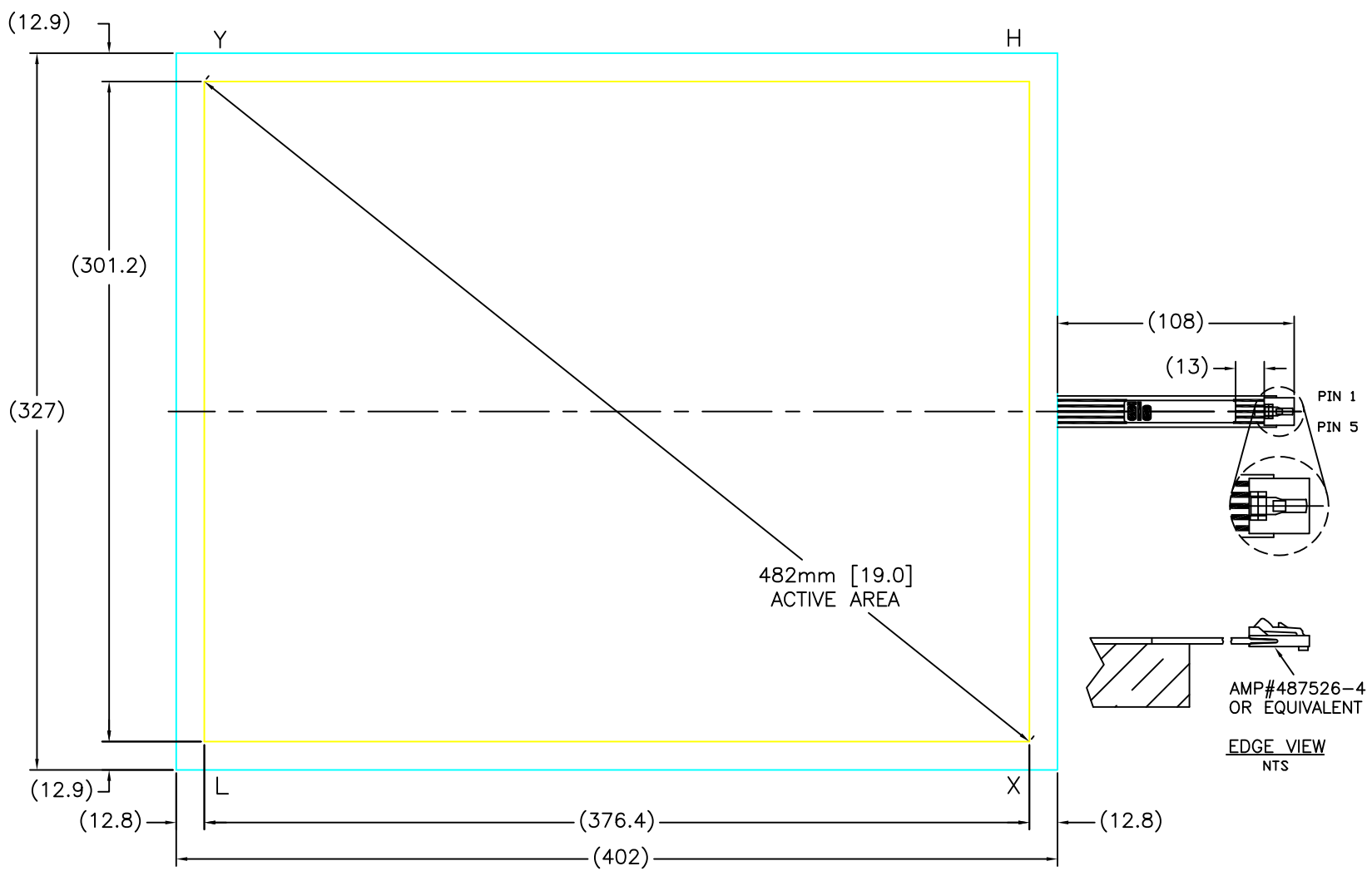


CONNECTOR PINOUT	
PIN NO.	DESIGNATION
1	Y
2	H
3	S
4	X
5	L

THIS DRAWING IS A CONTROLLED DOCUMENT. DRW NO: MSG600511



482mm [19.0]  
ACTIVE AREA

AMP#487526-4  
OR EQUIVALENT  
EDGE VIEW  
NTS

**NOTES:**

1. FINISHED PART THICKNESS 3.48±.3mm.
2. THE BORDER AREA OF THE SCREEN IS FLAT WITHIN ±.05mm.
3. THE CABLE ATTACHMENT AREA IS SEALED.
4. PIN OUT IS NOT ELO STANDARD AND MAY REQUIRE AN ADAPTER TO WORK WITH ELO CONTROLLER.

LOC 08  
DIST 08

REV	DESCRIPTION	DATE	BY	CHKD
B	ECO-12-018938, CHANGED TO ACF TAPE P/N E215780	10/31/12	LF	NG
A		01/24/07	-	-
P	LTR	REVISION RECORD	DATE	DRW

DIMENSIONS:	mm
TOLERANCES UNLESS OTHERWISE SPECIFIED:	
0 PLC	± .8
1 PLC	± .4
2 PLC	± .2
3 PLC	± -
4 PLC	± -
ANGLES:	1/2°
SURFACE TEXTURE:	N/A

DRW	-	MATERIAL	-	HEAT TREAT	-
CHK	-	ACCUTOUCH	-		-
APVD	-				
NAME	-				
DIMENSIONAL DRAWING					
SCN-A5-FLT19.0-F04-0H1-R					
SCALE	1:1	SIZE	A2	DRAWING NO	MS600511
SHEET	1	OF	1	REV	B